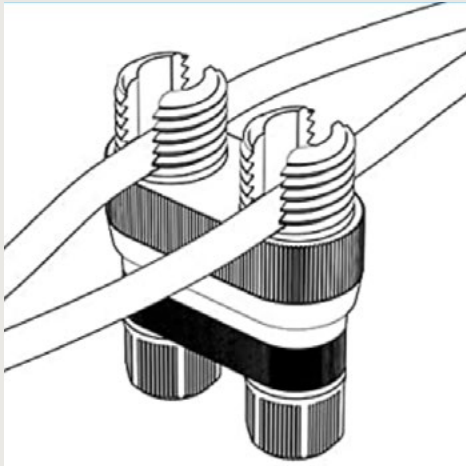
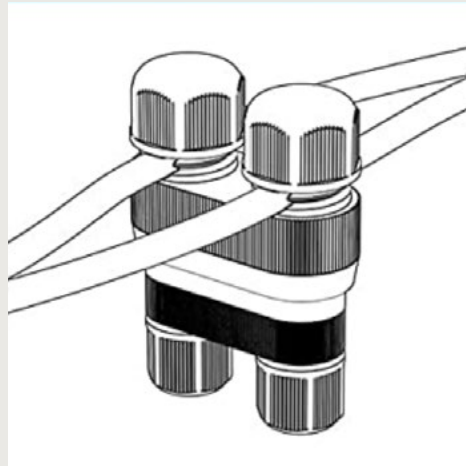


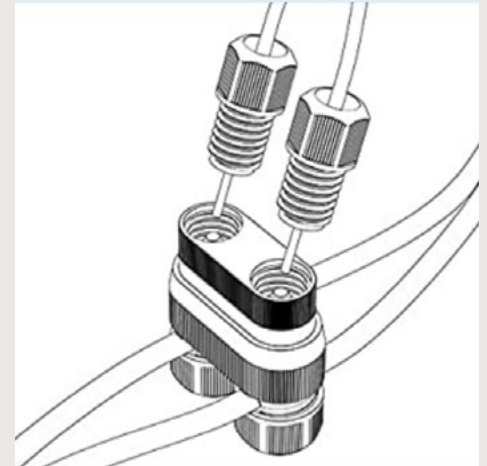
LED Lighting Manual



1 Pull cable out of Saguaro arm(s). Split cable at connection point, place in grooves.

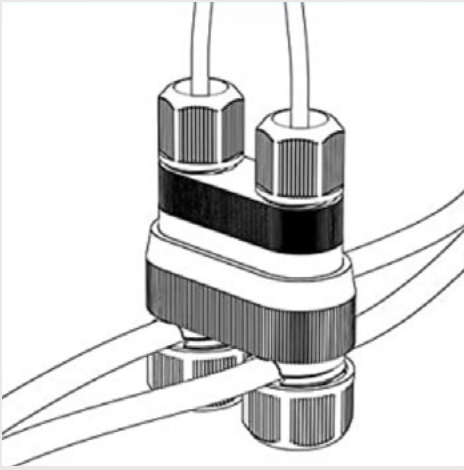


2 Tighten cap nut. Pin will pierce the cable.

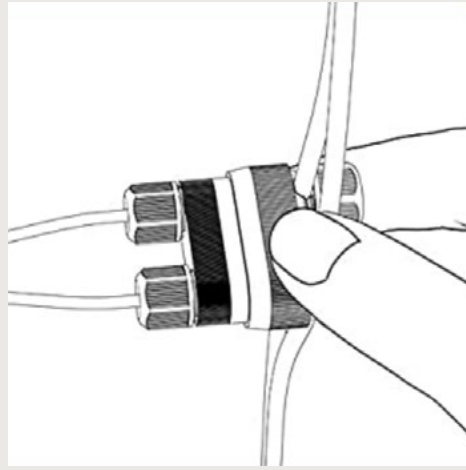


3 Strip the light wire 1/4" and pass it through the pipe nut.

(continued on next page)



4 Place wire into the hole with core and tighten pipe nut.



5 Pull wire to check connection.

