

LED Lighting & Saguaro Flower Manual

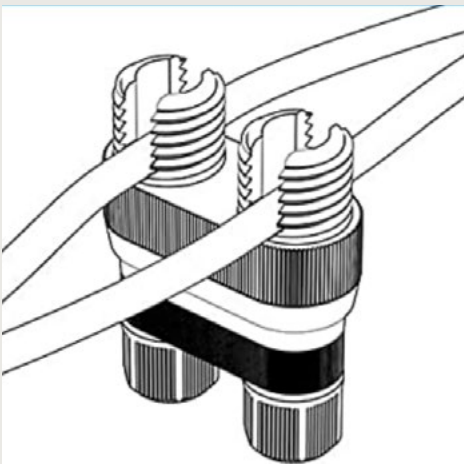
Included

- 12V low voltage spotlight, 3 watts/ea.
- 2 wire nuts/light for Saguaro installation
- Saguaro flower cluster/circle plate

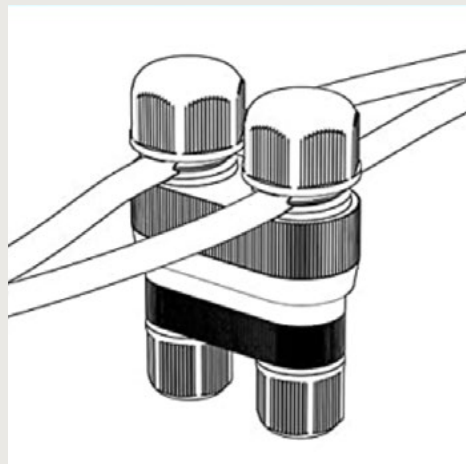
Needed

- Low voltage transformer (min. 50 watts)

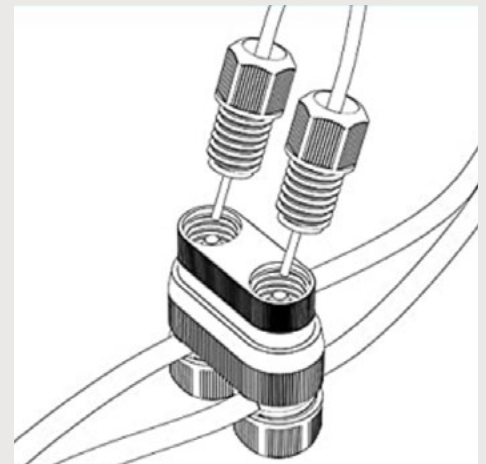
1 Pull cable out of Saguaro arm(s). Split cable at connection point, place in grooves.

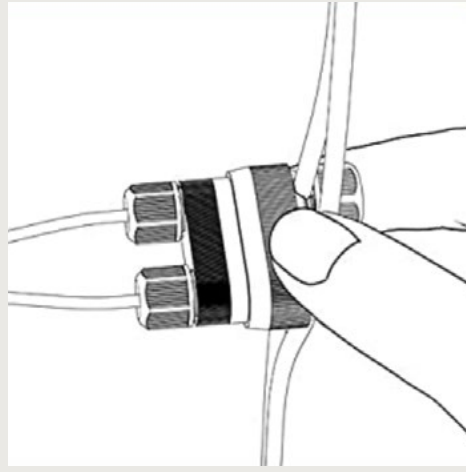
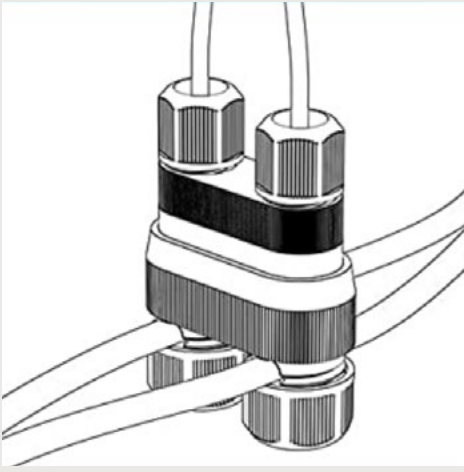


2 Tighten cap nut. Pin will pierce the cable.



3 Strip the light wire 1/4" and pass it through the pipe nut.





4 Place wire into the hole with core and tighten pipe nut.

5 Pull wire to check connection.



6 Bend down skinny tab on bottom of plate and run through hole in bracket.

7 Bend down tabs on outer rings of flower cluster or circle plate. These tabs slide under the lip of the arm.

8 Pull wire out of bottom of saguaro and hook to a 12v low voltage transformer.

