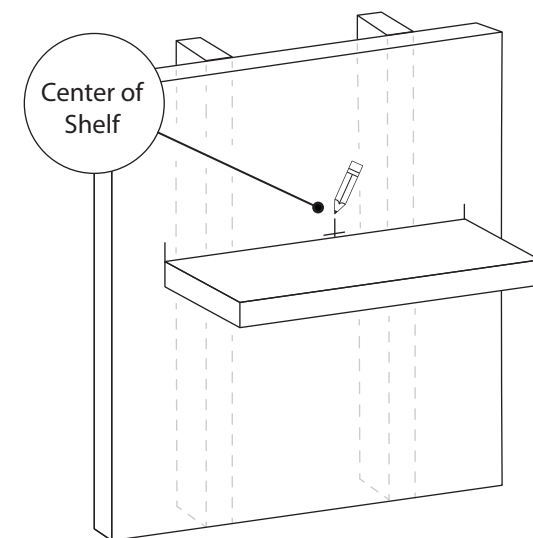
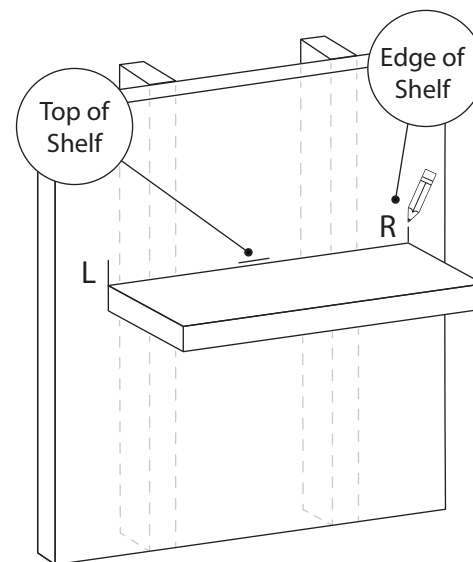
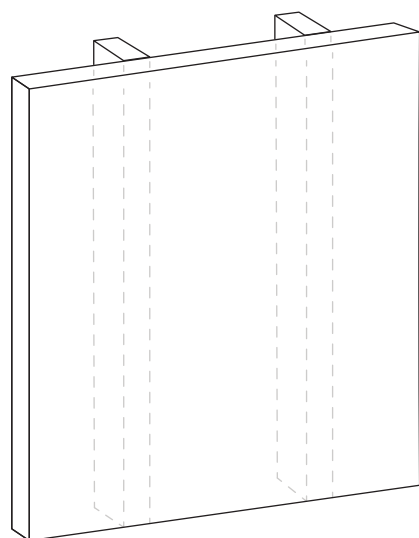
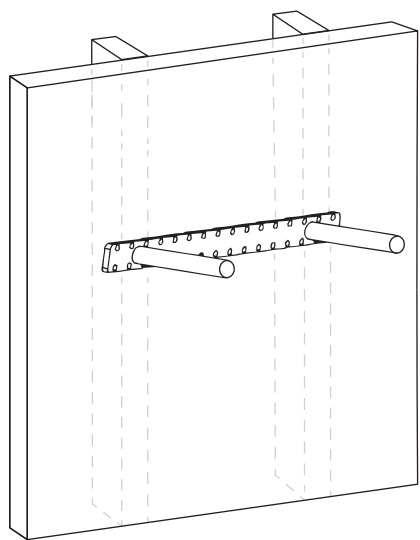


HOW TO MOUNT YOUR BRACKET TO THE WALL.

1 FIRST: DETERMINE YOUR DESIRED LOCATION FOR YOUR SHELF.

2 With your pencil, mark where the top, left, and right edge of the shelf will be.

3 Mark with your pencil where the center of the shelf will be.

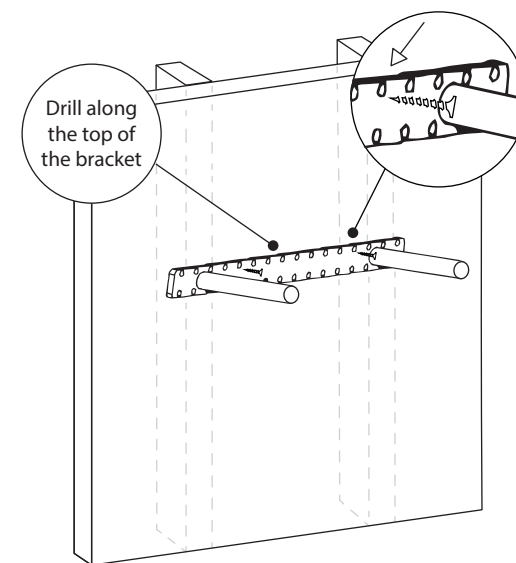
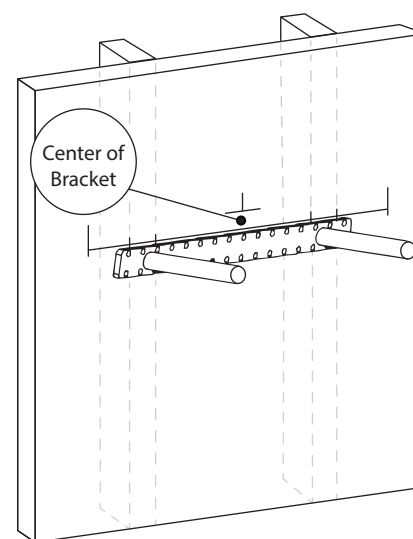
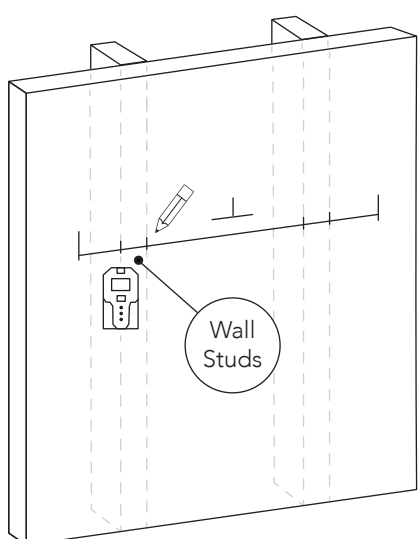
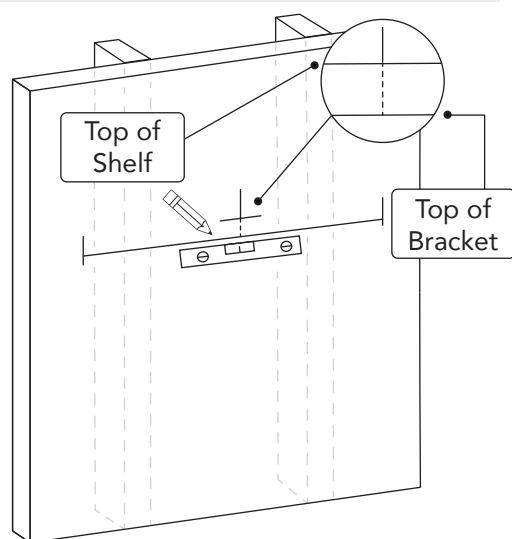


4 NEXT: DETERMINE THE LOCATION OF YOUR BRACKET. Using a level and pencil, draw a horizontal line marking where the top of the bracket will be. See **tip A** to determine the distance from the top of the shelf to the top of the bracket.

5 Using a stud finder and pencil, mark the outside edges of the studs.

6 Place your bracket on the wall aligning the center of the bracket with your center line that you drew from step 3 and align the top of the bracket with the horizontal line from step 4.

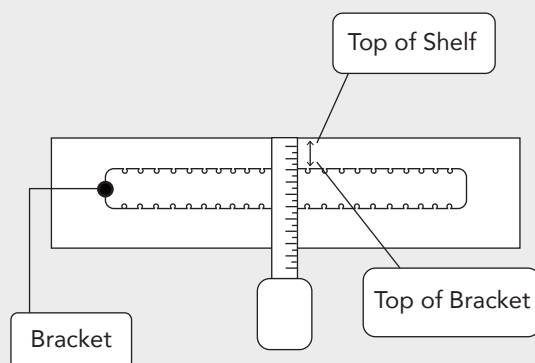
7 Using a power drill with drill bit and supplied screws, drill the screws into the studs. Note: You only have to drill screws along the top of the bracket. Bottom screwholes are an accessory.



8 Slide your shelf onto the bracket - You're done! Wasn't that simple! Now the fun part - style your shelves!

A *Installation Tips*

- To figure out the distance from the top of the shelf to the top of the bracket, place the bracket in your shelf and measure.



B *Installation Tips*

- Your shelf is designed to fit tight, so it may require additional force when sliding your shelf onto the bracket. If your shelf won't go in all the way, consider the following:

- Tap the shelf into place using a rubber mallet (protect it with a thick cloth or towel first).
- Force the shelf on by wiggling up and down and side to side while pushing it against the wall.

C *Installation Tips*

- If your shelf will not sit level after installing it, place a shim behind the bracket to set your shelf level.
- If you are unable to secure your bracket to wall studs, then drywall anchors may be used instead. Toggle Bolts are the recommended anchors for our shelves, and can be purchased at a hardware store or on our website.
www.ultrashelf.com/products/drywall-anchor
- If your shelf can wiggle up and down wrap electrical tape around the end of the bracket rods.

